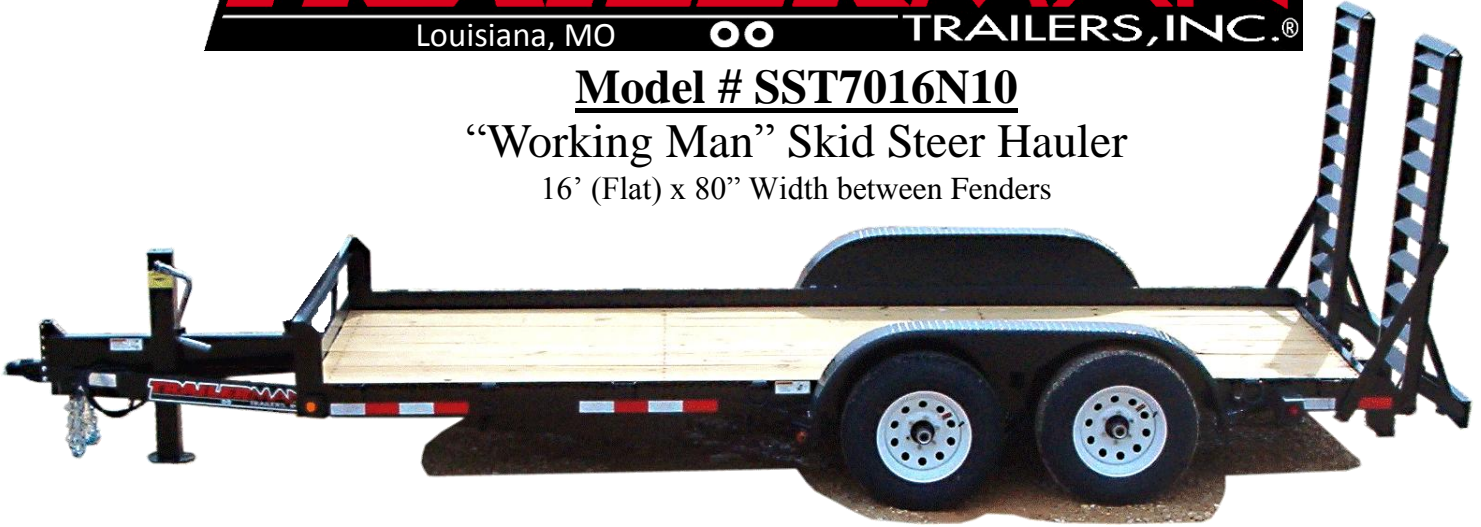


Model # SST7016N10

“Working Man” Skid Steer Hauler

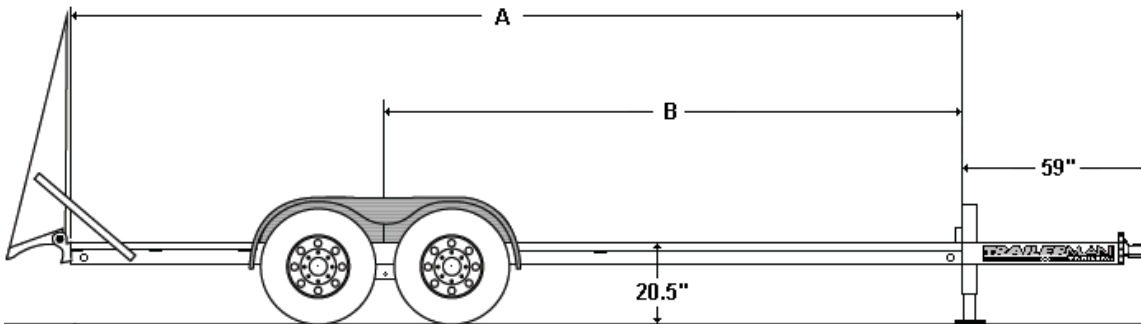
16’ (Flat) x 80” Width between Fenders



- | | | |
|--|--------------------------------------|-----------------------|
| (2) 6K (5200#) Torflex E-Z Lube Elec. Axles | Diamond Plate Teardrop Fenders/Backs | HD Safety Chains |
| ST225-75R-15” 8-PR Tires on 6-Hole Wheel | Break-A-Way Kit | Treated 2” Wood Floor |
| 2 5/16” Adj. Coupler or Pintle Eye | Rubber Mounted Waterproof Lights | SL Dropleg Jack (10K) |
| Spring Asstd. Stand Up Ramps w/Knees | Stake Pockets & (4) Weld on D-Rings | Protected Wiring |

(Ship Wt.: 3,195# GAWR: 10,160# GVWR: 10,160#)

MAINFRAME: 6 x 4 x 3/8” Angle **TONGUE:** 6” Channel **CROSS MEMBERS:** 3” Channel **CENTERS:** 16”



| Measurements | | |
|--------------|-----|-----|
| Length | A | B |
| 12 | 144 | 92 |
| 14 | 168 | 107 |
| 16 | 192 | 123 |
| 18 | 216 | 128 |
| 20 | 240 | 153 |



Rubber Mtd. Waterproof Lights - Standard!



Spring Assisted Ramps - Standard!

| SKID STEER OPTIONS | | | |
|---------------------------------|------------------|--------------------------|---|
| 6,000# 8-Hole EZ Lube Axle Pkg. | Surge Brakes | Mesh Tool Tray in Tongue | Weld on D-Rings |
| 7,000# EZ Lube Axle Pkg. | Gooseneck Option | ST225-75R-15” Spare Mtd. | L.E.D. Light Pkg. Upgrade |
| 12' - 20' Lengths | Winch Plate | ST235-80R-16” Spare Mtd. | 4’ Tall HD 2 pc Mesh Gate w/Knees |
| 1/8” Diamond Plate Steel Floor | Fork Carriers | Mesh on Ramps | Std. Colors: Black, Red, Gray (Other Colors Optional) |

MANY OTHER OPTIONS ARE AVAILABLE –VISIT OUR WEBSITE TO FIND AN AUTHORIZED TRAILERMAN® DEALER:

www.trailertrailer.net

{TrailerMan Trailers, Inc. reserves the right to make changes to the standard features at any time without notification.}