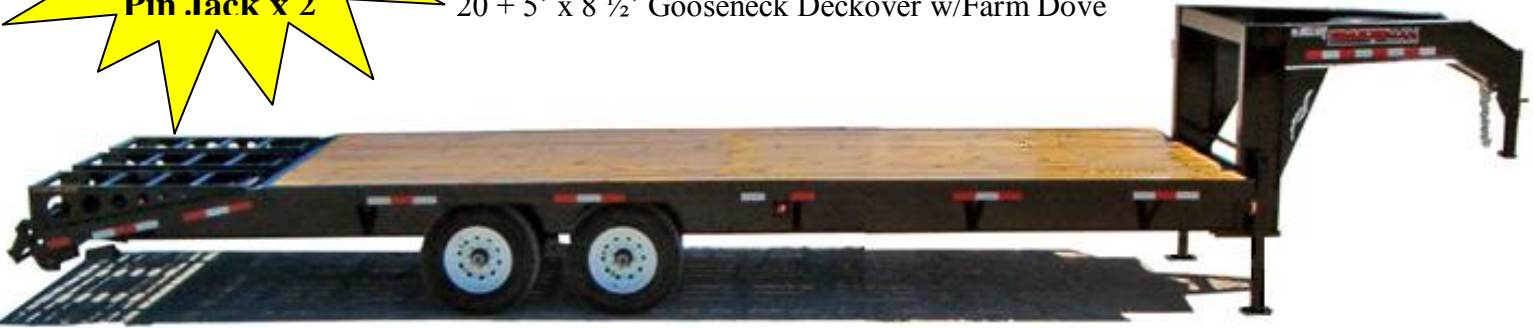


**Standard with  
Binkley Dual  
Pin Jack x 2**

## Model# HHG8205F14

The "HIRED HAND®" Single Wheel  
20 + 5' x 8 1/2' Gooseneck Deckover w/Farm Dove



### EQUIPMENT DOVE



Transport position (shown w/optional 3<sup>rd</sup> ramp)



Loading position (shown w/optional 3<sup>rd</sup> ramp)

### FARM DOVE



Transport position



Loading position

### RANCH DOVE



Transport position



Loading position



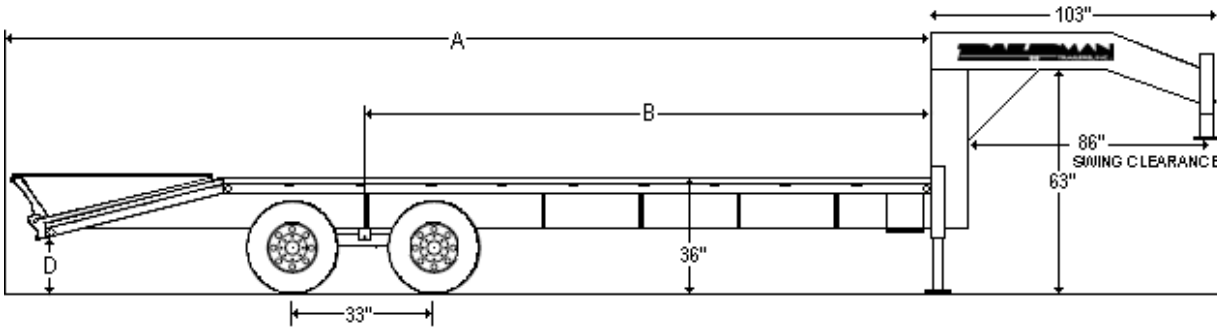
# The "HIRED HAND®" Single Wheel

20 + 5' x 8 1/2' Gooseneck Deckover w/Farm Dove

- |  |  |                             |
|--|--|-----------------------------|
| (2) 7K EZ Lube Elec. Axles                     | Break-A-Way Kit                          | Treated 2" Wood Floor       |
| ST235-80R-16" 10-PR Tires on 8-Hole Wheel      | Assist Step w/Handle                     | Spare Tire/Wheel Mtd        |
| 2 5/16" Adj Coupler                            | L.E.D. Rubber Mounted Waterproof Lights  | Lockable Tool Box b/t Jacks |
| (2) Dual Pin S.L. Dropleg Jacks (24K)          | 5' Farm Dove                             | Mud Flaps                   |
| (3) 5' Level Bed Double Swivel Spg Asstd Ramps | Stake Pockets on 16" & Rub Rail 2"x5/16" | Protected Wiring Harness    |

(Ship Wt.: 5,210# GAWR: 14,000# GVWR: 14,000#)

**MAINFRAME & NECK:** 12" 14 # I-Beam **CROSS MEMBERS:** 3" Channel on 24" Centers



Measurements when equipped with 5' dove tail		
Length	A	B
16	192	120
18	216	136
20	240	151
22	264	166
24	288	182
25	300	188
26	312	197
28	336	212
30	360	226
32	384	242
34	408	257
36	432	272
38	456	287
40	480	302
42	504	317
44	528	332

All measurements are approximate

## DOVE TAIL OPTIONS

D	Dove Tail	Description
16"	<b>F</b> arm	3 Spg Asstd 5' Level Bed Ramps w/Hay Blocks
16"	<b>R</b> anch	2 Spg Asstd 5' Level Bed Ramps and Pop-Up Center Piece w/Hay Blocks
13"	<b>E</b> quipment *	2 Spg Asstd 5' Level Bed Ramps (3 <sup>rd</sup> Ramp Optional)
21"	<b>N</b> one	Flat Deck has No Dove Tail and No Ramps

\*Designed for Heavier or Track Equipment

## HIRED HAND® OPTIONS

Additional Footage up to 34'	Receiver Hitch on Back
Additional Footage 35' – 44'; includes Torque Tube	Light Plug on Back
Tongue Pull with Pintle Eye or 2 5/16" Coupler	8' x 6' Deck-Over-Neck
Electric-Over-Hydraulic Brakes	Underbody Lockable Tool Box; 18 x 18 x 24"
3 <sup>rd</sup> 7K EZ Lube Axle - 19# Beam w/ 16" Centers	Underbody Lockable Tool Box; 18 x 18 x 30"
2-8K EZ Lube Electric Axles w/LT235R-16" 14-PR Tires	Underbody Lockable Tool Box; 18 x 18 x 36"
Mesh In Neck or Tongue	Twin 2-Speed Jacks
Winch Plate	2" Rough Cut Oak Floor
1/8" Diamond Plate Steel Floor	Standard Colors: Black, Red, Gray (Other Colors Optional)

VISIT OUR WEBSITE TO FIND AN AUTHORIZED TRAILERMAN® DEALER: [www.trailertrailer.net](http://www.trailertrailer.net)

{Trailertrailer, Inc. reserves the right to make changes to the standard features at any time without notification.}