

TRAILERMAN TRAILERS, INC.®

The "HIRED HAND®" Single Wheel

MODEL#: HHG8205F14

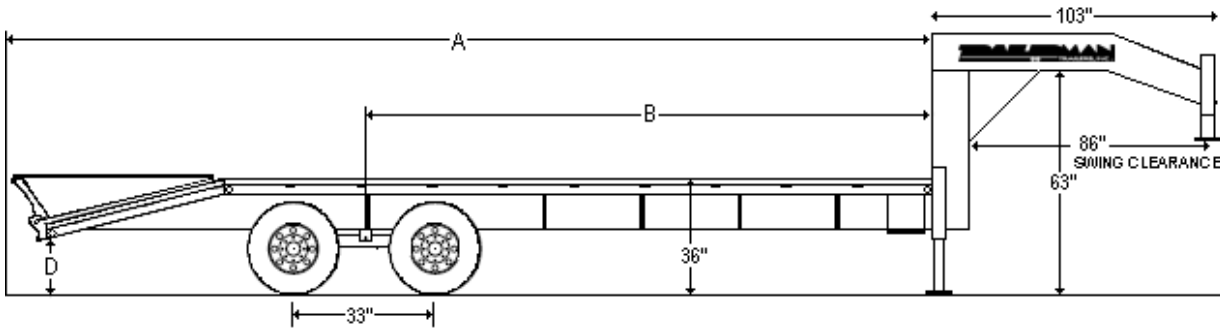
8 1/2' Width x 20 + 5' Length Gooseneck Deckover w/Farm Dove



- | | | |
|--|--|--------------------------|
| (2) 7K EZ Lube Elec. Axles | Break-A-Way Kit | 2" Treated Lumber Floor |
| ST235-80R-16" 10-PR Tires on 8-Hole Wheel | Lockable Tool Box b/t Jacks | Spare Tire/Wheel Mtd |
| Sealed Wire Harness w/7-Way Light Plug | L.E.D. Rubber Mounted Lights | Assist Step w/Handle x 2 |
| (2) Dual Pin S.L. Dropleg Jacks (24K) | 5' Self Cleaning Dove(a/k/a Farm Dove) | Mud Flaps |
| (3/ea) X Wide (21") Level Bed, Dbl. Swivel, Spg Asstd. Ramps | Stake Pockets on 16"Centers & Rub Rail | 2 5/16" Adj Coupler |
| Undercarriage Cross Bracing | | |

(Ship Wt.: 5,210# GAWR: 14,000# GVWR: 14,000#)

MAINFRAME & NECK: 12" 14 # I-Beam **CENTERS:** 24" **DOVE CLEARANCE:** Approx. 13"
CROSS MEMBERS: 3" Channel **DECK HEIGHT:** Approx. 35"



Measurements when equipped with 5' dove tail		
Length	A	B
16	192	120
18	216	136
20	240	151
22	264	166
24	288	182
25	300	188
26	312	197
28	336	212
30	360	226
32	384	242
34	408	257
36	432	272
38	456	287
40	480	302
42	504	317
44	528	332

DOVE TAIL OPTIONS

D	Dove Tail	Description
16"	F arm	3 Spg Asstd 5' Level Bed Ramps
16"	R anch	2 Spg Asstd 5' Level Bed Ramps and Pop-Up Center Piece
13"	E quipment *	2 Spg Asstd 5' Level Bed Ramps (3 rd Ramp Optional)
	C olossal	2 Spg. Asstd 5' Level Bed Ramps

*Designed for Heavier or Track Equipment

HIRED HAND® OPTIONS

Additional Footage up to 44'	8' Slide in Rear Store Ramps w/Rear Stabilizers
3 rd 7K EZ Lube Axle - 19# Beam w/ 16" Centers	8' x 6' Deck-Over-Neck
2-8K EZ Lube Electric Axles w/LT235R-16" 14-PR Tires	Twin 2-Speed Jacks
Electric-Over-Hydraulic Brakes	ST215-75R-17.5" LRH 16-PR Tires

All measurements are approximate